



納入仕様書  
**SPECIFICATION SHEET**

PART NO: SSB-0645A

DESIGNED NO : SB-0645A

REV : 0

APPROVED BY CUSTOMER

CUSTOMER: ENTECH \_\_\_\_\_

PART NO.: SSB-0645A \_\_\_\_\_

DATE: 28 FEB 2019 \_\_\_\_\_

SALOM ELECTRIC (THAILAND) CO., LTD.  
39/19 MOO 5 S01 BANG PLAO-SRISATIEN  
THUMBOL RAIKEING, AMPHUR SAMPHAN,  
NAKORNPATTHOM PROVINCE, THAILAND  
TEL : (662) 4290526~8      FAX : (662) 4290207



**CONTENTS**

NO	ITEM	PAGE
1	COVER PAGE	1
2	REVISION LIST	2
3	CONTENTS	3
4	SPECIFICATIONS FOR ADAPTOR	4-5
5	CIRCUIT DIAGRAM	6
9	DRAWING OF OUTLINE	7
10	DRAWING OF NAME PLATE	8



納入仕様書  
**SPECIFICATION SHEET**

PART NO: SSB-0645A

DESIGNED NO : SB-0645A

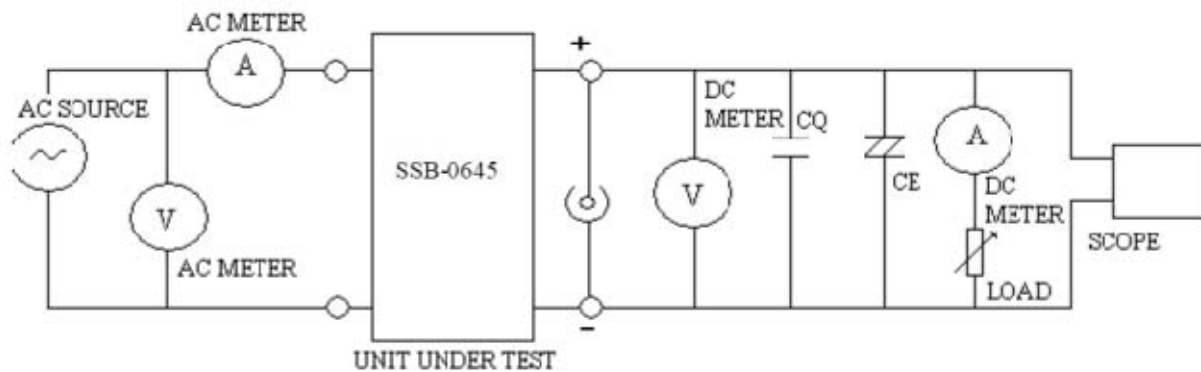
REV : 0

**SPECIFICATIONS FOR ADAPTOR**

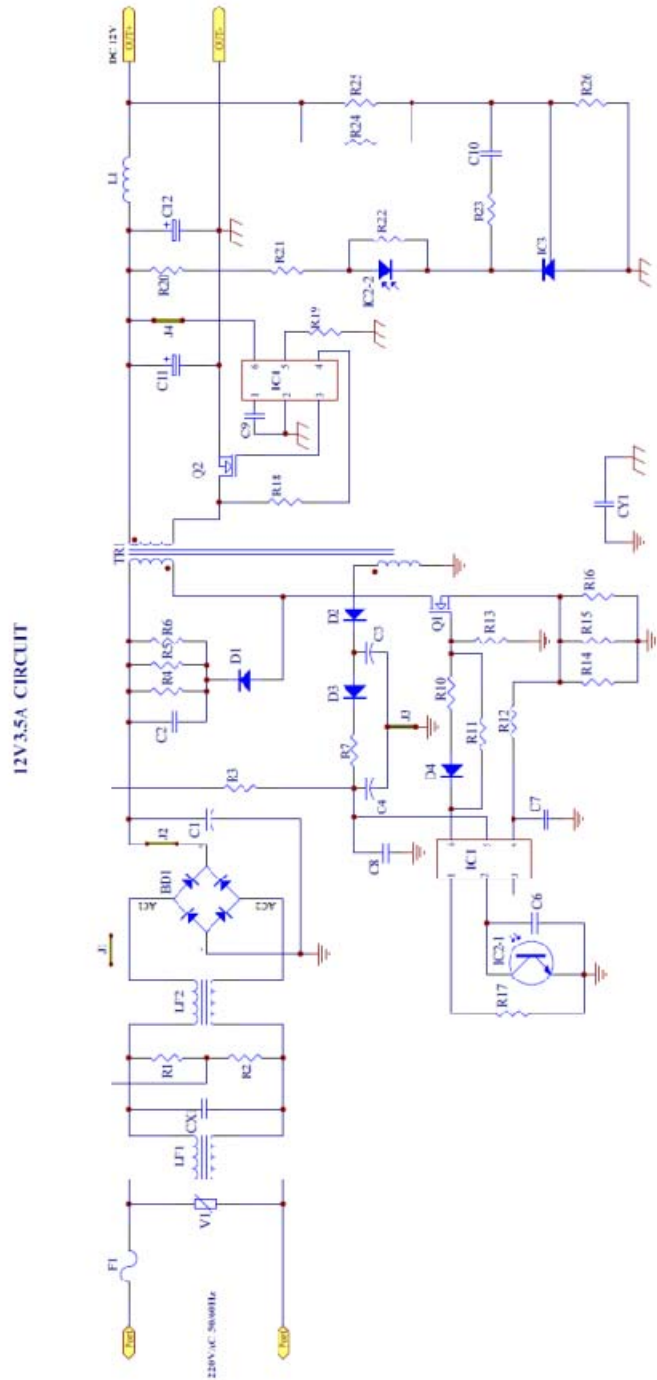
1. RATED INPUT VOLTAGE: AC 220V 50/60Hz
2. MAX. INPUT RANGE: 198~242VAC 47~63Hz
3. INPUT AC CURRENT:
  - (1) NO LOAD 30mA MAX. (INPUT 220V 50/60Hz)
  - (2) RATED LOAD 1.0A MAX. (INPUT 220V 50/60Hz)
4. INPUT AC POWER (WATTS):
  - (1) NO LOAD 0.5W MAX. (INPUT 220V 50/60Hz)
  - (2) RATED LOAD 52W MAX. (INPUT 220V 50/60Hz)
5. INRUSH CURRENT: 60A MAX. (AMBIENT TEMPERATURE 25°C, INPUT 220VAC)
6. OUTPUT VOLTAGE: 12 VDC  $\pm$  5% (3.5A LOAD)  
13 VDC MAX (0 A LOAD)
7. OUTPUT CURRENT: 3.5A RATED.
8. OVER CURRENT PROTECTION: OUTPUT SHORT PROTECTION
9. OUTPUT RIPPLE & NOISE: 300mVp-p MAX  
  
(INPUT AC 220V 50/60Hz, RATED LOAD USE 20M Hz BAND WIDTH FREQUENCY OSCILLOSCOPE)
10. LINE REGULATION:  $\pm$ 3% MAX. (INPUT AC 198~242V 50Hz, RATED LOAD)
11. LOAD REGULATION: 5% MAX. (1.0~3.5A)
12. EFFICIENCY: 86% TYPICAL. (INPUT AC 220V 50Hz, RATED LOAD)
13. OPERATION TEMPERATURE: AMBIENT 0°C~+40°C RELATIVE HUMIDITY : 10%~90%
14. STORAGE TEMPERATURE: AMBIENT -5°C~+70°C RELATIVE HUMIDITY : 10%~90%

**SPECIFICATIONS FOR ADAPTOR**

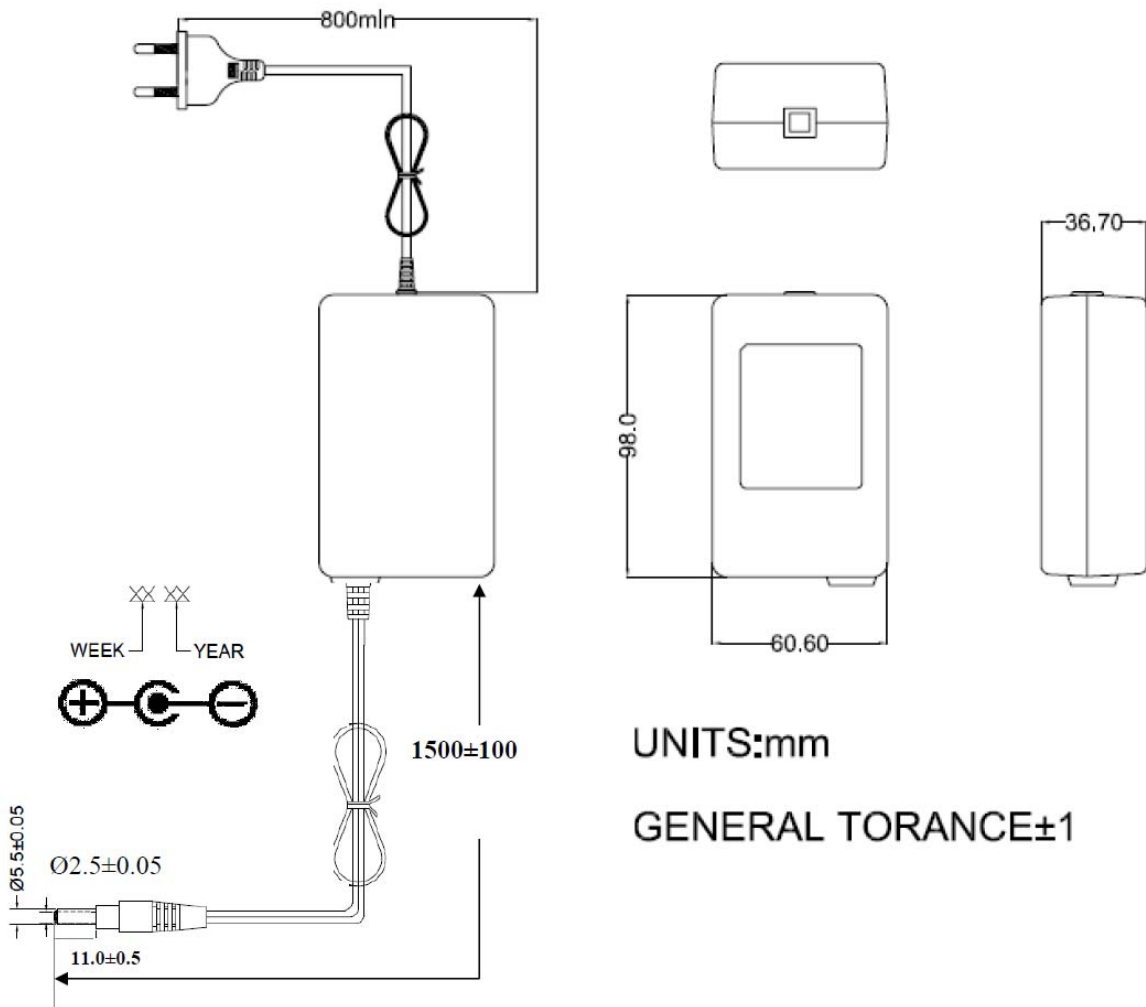
15. STORAGE TEMPERATURE: AMBIENT -5°C~+70°C RELATIVE HUMIDITY : 5%~90%
16. HI-POT TEST: INPUT~OUTPUT 3KVAC 10mA MAX. 1MINUTE
17. INSULATION RESISTANCE: INPUT~OUTPUT DC 500V 100MΩ MIN.
18. SAFETY STANDARD : TISI
19. EMI STANDARD : EN55022
20. TESTING CIRCUIT : ( CE : 100uF , CQ : 0.1uF .)



**CIRCUIT DIAGRAM**



**DRAWING OF OUTLINE**



UNITS:mm

GENERAL TORANCE±1

**DRAWING OF NAME PLATE**

